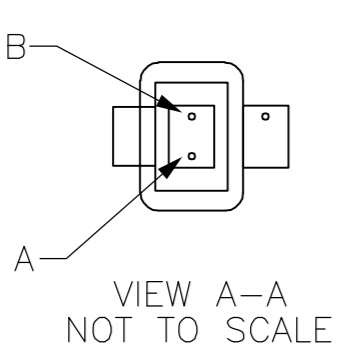
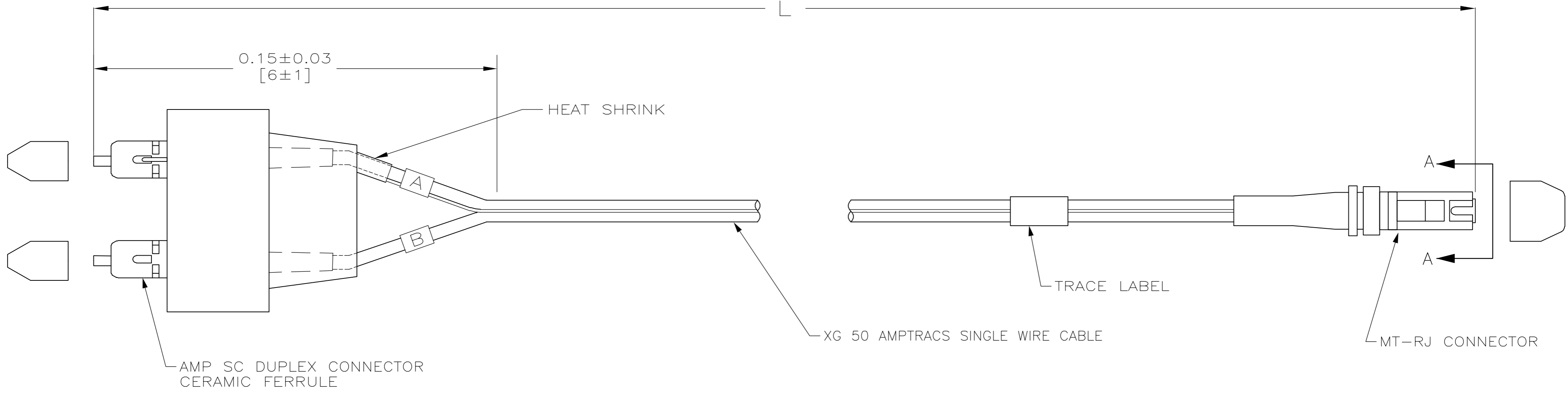


THIS DRAWING IS UNPUBLISHED. RELEASED FOR PUBLICATION .19  
 © COPYRIGHT 19 BY AMP INCORPORATED. ALL RIGHTS RESERVED.

LOC	DIST	REVISIONS					
CE	16	P	LTR	DESCRIPTION	DATE	DWN	APVD
		C		REV PER EC OB60-0061-03	30SEP03	WS	JH

- 1. DIMENSIONS IN [ ] ARE IN INCHES
- 2. MAXIMUM CONNECTOR LOSS IS EQUAL TO 0.50 dB PLUS CABLE ATTENUATION.



FIBER PATH	
SC POSITION	MT-RJ POSITION
A	B
B	A

0.52	10.0 ± 0.15 [393.7 ± 6]	1-1435357-0
0.52	7.0 ± 0.08 [275.6 ± 3]	1435356-7
0.51	5.0 ± 0.08 [196.9 ± 3]	1435357-5
-	-	-
0.50	3.0 ± 0.05 [118.1 ± 2.0]	1435357-3
0.50	2.0 ± 0.05 [78.7 ± 2.0]	1435357-2
0.50	1.0 ± 0.05 [39.4 ± 2.0]	1435357-1
CONNECTOR LOSS (dB) $\Delta$		L
		PART NUMBER

THIS DRAWING IS A CONTROLLED DOCUMENT.

DWN W SOURBEER 01APR03	AMP Incorporated Harrisburg, PA 17105-3608
CHK J HOFFER 01APR03	
APVD J APGAR 01APR03	
PRODUCT SPEC	
APPLICATION SPEC	NAME CABLE ASSEMBLY, FIBER OPTIC, AMPTRACS, MT-RJ TO SC, DUPLEX, SINGLEMODE
MATERIAL	SIZE A2
FINISH	CAGE CODE 00779
	DRAWING NO C=1435357
	RESTRICTED TO -
	SCALE NTS
	SHEET 1 OF 1
	REV C

CUSTOMER DRAWING

1435357